

The SLEX detector incorporates an OLED display, 4-20mA and RS485 communication compatible with PID, catalytic, NDIR, MEMS & electro-chemical sensors

Applications include: Oil and Gas Industries, Waste Water Treatment, Pharma & Bio-Pharma, Manufacturing, Chemical and Fuel Storage Facilities

System Features

- EN 60079 II 2 G D Ex-d IIC T6
- Standalone gas detector
- Incorporates infra-red, electro-chemical, catalytic and PID sensor technologies
- Visual indication of gas levels
- Network up to 500 gas sensors
- U-processor based functionality
- Sensor or 4-20mA Input
- 4-20mA output
- Atex & IECEx Certified
- Alarm levels freely programmable
- Internal fault monitoring
- Stainless steel sensor housing
- SIL Rated

User Friendly

- Non-intrusive one person calibration
- Easy to use step by step menu
- Minimal training required
- Remotely mount sensors
- Programmable alarm delay
- Password protected
- Supplied pre-configured

Cost Benefits

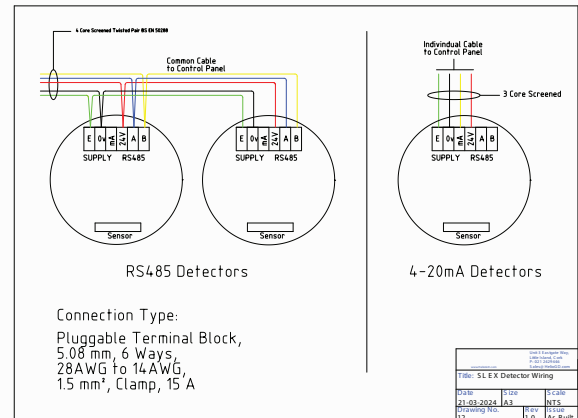
- Standalone gas detector requiring no control panel
- RS 485 network reduce cabling costs
- Simple installation
- Plug-in replacement sensors
- Detector stability allows for increased maintenance intervals



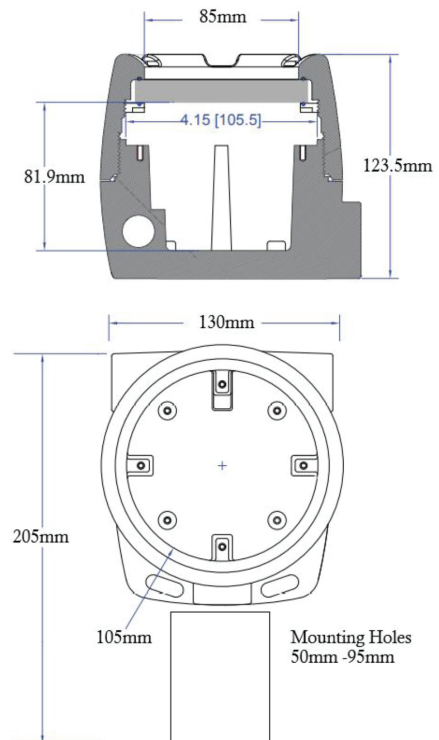
Environmental Specifications	
Operating temperature	-30 °C to 50 °C
Pressure range	80 to 120 kPa
Humidity range	15 to 90 % rh
Electrical Specifications	
Supply voltage	24Vdc
Power Consumption	Max 1W
Fuse	100mA 'T' short circuit and overload protected Sensor Specifications
Sensor Specifications	
Combustible gas sensor type	NDIR, Thermo-catalytic
Toxic gas sensor type	NDIR, Electro-chemical
Certification	ATEX & IECEx
Transient protection	PCB mounted Metal Oxide varistor
Terminations	PCB terminal blocks up to 2.5mm ² cables
Alarm inhibit	Password protected alarm inhibit / muting
Alarm setting	Digital setting (fully adjustable between Zero and full scale)
Alarm types	Enrichment / deficiency
Resolution	0.01
Accuracy	Sensor dependent
Full scale range	Freely programmable
Memory	64KB flash ROM
EN Regulation Compliance	EN IEC 60079-0:2018 EN 60079-1:2014 EN 60079-31:2014

Electromagnetic conformance (EMC) complies with 2014/30/EU

Wiring Diagram



Dimensions (mm)



For more information:

T. +353 21 2429 448
E. sales@helio-gd.com

www.HelioGD.com
Unit 3, Eastgate Way, Little Island, Cork, Ireland.



linkedin.com/company/helio-gas-detection

