

HELIO SINGLE POINT GAS ANALYSER

System Features

- 4.3" TFT Touchscreen Display
- EC, Catalytic, Infra Red and PID Sensors
- 50M sample Distance
- Flow Monitoring
- Up to 2 Sensors per Unit
- Visual Display of Gas Levels
- Independent 4-20mA Outputs
- 4 X Programmable Relays
- 3 X Digital Inputs
- Connect up to 6 Helio Addressable Fixed Gas Detectors
- Internal Fault Monitoring
- Event Log Feature
- IP65 Rating
- Built in E-Stop option

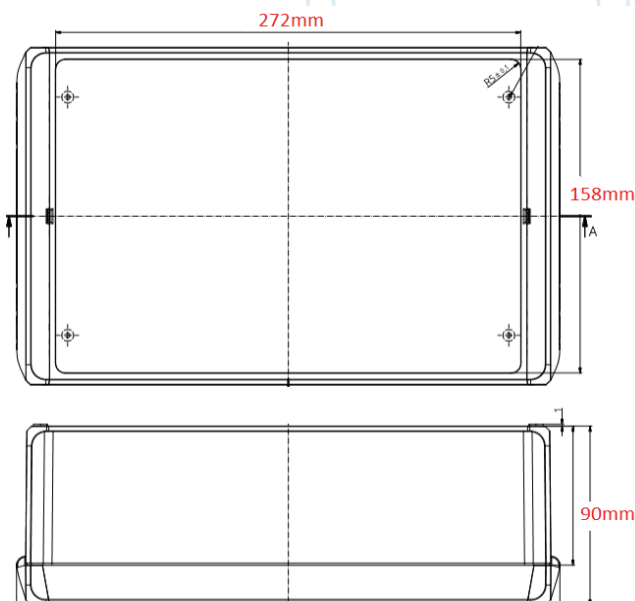
Sample Point:
Up to 50M from
Panel

Simplify Access Requirements

The Detector can be located remote from the risk area, for example in a service chase or outside a laboratory. Maintenance and Service operations can be carried out without the need for personnel to enter restricted or clean areas.



Dimensions - mm



Specification:

Operating temperature -10 °C to 60 °C
Storage Temperature -20 °C to 70 °C
Humidity range 20 to 90 %
non-condensing

Electrical Specifications

Supply voltage 24V DC
Power Consumption - 300mA
Relay contacts SPST, 250V, 10A, fully programmable
Inputs E-Stop, Fire Alarm, Links
Transient protection PCB mounted
Metal oxide varistor
Terminations PCB terminal blocks
up to 2.5mm² cables
Alarm inhibit Password protected
Alarm inhibit /muting