

HELIO MAP-250 w/ Gas Proving

250 CHANNEL GAS DETECTION CONTROL PANEL

HELIO
GAS DETECTION



System Features

- 4.3" TFT touch-screen display
- 250 * RS485 Gas Detectors
- 8 * 4-20mA Gas Detectors*
- Visual indication of gas levels
- 8 volt-free relay outputs
10A@230Vac
- Gas Valve Control Relay
- RS485 Modbus interface
- Expansion Modules
 - 64 mA Inputs
 - 64 mA Outputs
 - 112 Relays
- Isolate individual detectors
- Relay output simulation
- Internal fault monitoring
- Event log feature
- 3 * Digital Inputs
- IP 65 rating
- Robust, rugged design

**Option.*

All Helio products can communicate with each other allowing a wide range of installations suiting most requirements with a single solution.

Non Helio products can be added to the network including temperature, pressure, radiation ,existing detectors or any device that provides an output.

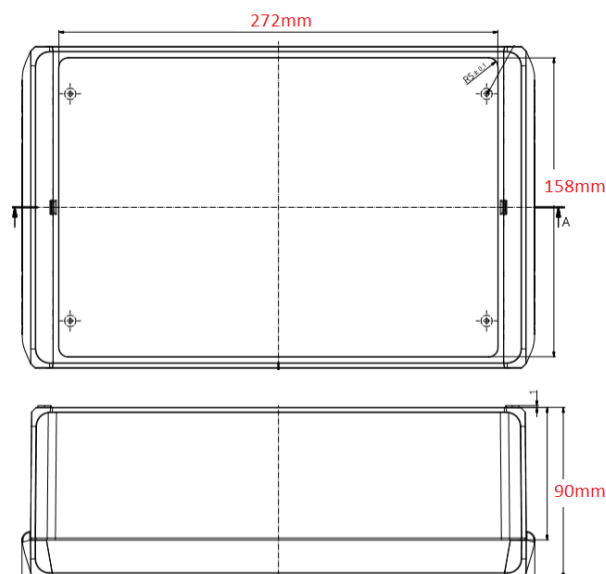
Environmental Specifications

Operating temperature	-10 °C to 60 °C
Storage Temperature	-20 °C to 70 °C
Humidity range	20 to 90 % non-condensing

Electrical Specifications

Supply voltage	86Vac - 260Vac
Power Consumption	6W
Fuse	400mA PTC
Sensor cables	4 core, screened, 0.5mm ² to 1.5mm ²
Relay contacts	SPST, 250V, 10A, fully programmable
Inputs	E-Stop, Fire Alarm, Links
Transient protection	PCB mounted Metal oxide varistor
Terminations	PCB terminal blocks up to 2.5mm ² cables
Alarm inhibit	Password protected alarm inhibit /muting
Alarm setting	User Configurable.
Alarm types	Energised/de-energised Enrichment /deficiency
Enclosure material	Two-piece, hinged, ABS

Dimensions (mm)



- **2004/108/EC** EMC Directive
- **2006/95/EC** Low Voltage
Equipment Directive
- EN 61779-1:2000
- EN 50271:2010
- EN 61000-6-2: 2005
- EN 61000-6-4: 2007
- EN 61000-3-2/A2:2009
- EN 61000-3-3: 2008

