

Helio DTEX Loop powered gas detectors
 Incorporate a vibrant display and RS485 communication.

Applications include: Waste Water Treatment Facilities, Manufacturing, Pharma, Bio-Pharma, Food and Beverage industries, Boilers, Laboratories, Car parks, Agriculture and Landfill sites.



System Features

- EN 60079 II 2 G Ex-d IIC T6
- Remotely mount gas sensor
- Incorporates electro-chemical sensor
- Visual indication of gas levels
- 1.7" LCD display
- U-processor based functionality
- Internal fault monitoring
- Stainless steel or plastic sensor housing
- Calibrate milli-amp signal.
- View zero & span values.
- Automatic calibration function
- Industrial standard 24v 4-20mA 2 wire signal.

User Friendly

- Non-intrusive one person calibration
- Easy to use step by step menu
- Minimal training required
- Password protected
- Supplied pre-configured

Cost Benefits

- Simple installation
- Plug-in replacement sensors
- Detector stability allows for increased maintenance intervals

STEL short term exposure limit 15minutes. **LETEL** long term exposure limit 8 hours.
IR - Infra-red, **EC** - Electrochemical, **CAT** - Catalytic

Gas	LETEL	STEL	%Vol LEL	Relative Density	Sensor
Air	-	-	-	1.000	
Ammonia	25 ppm	35 ppm	15%	0.597	EC
Arsine	-	0.05 ppm	4.50%	2.690	EC
Butane	750 ppm	600 ppm	1.86%	2.006	IR
Carbon Dioxide	5000 ppm	15000ppm	-	1.519	IR
Carbon Monoxide	30 ppm	200 ppm	12%	0.967	EC
Chlorine	-	0.5 ppm	-	2.486	EC
Chlorine Dioxide	0.1 ppm	0.3 ppm	3%	2.300	EC
Ethane	20 ppm	40 ppm	3%	1.038	IR/CAT
Ethanol	1000 ppm	-	3.30%	1.600	IR/CAT
Ethylene	-	-	2.75%	0.968	IR/CAT
Ethylene Oxide	5 ppm	-	3%	1.500	IR/CAT
Fluorine	1 ppm	1 ppm	-	1.310	EC
Hexane	20 ppm	-	1.25%	2.973	IR/CAT
Hydrogen	-	-	4%	0.070	CAT
Hydrogen Chloride	1 ppm	5 ppm	-	1.268	EC
Hydrogen Cyanide	-	10 ppm	5.60%	0.940	EC
Hydrogen Fluoride	1.8 ppm	3 ppm	-	0.700	EC
Hydrogen Sulphide	5 ppm	10 ppm	4%	1.176	EC
LPG	750 ppm	-	2.10%	1.8-2.1	IR/CAT
Methane (natural gas)	-	-	5%	0.5537 (0.6-0.7)	IR/CAT
Nitric Oxide	25 ppm	-	-	1.037	IR/EC
Nitrogen Dioxide	3 ppm	5 ppm	5%	1.590	EC
Oxygen	-	-	-	1.104	EC
Ozone	-	0.2 ppm	-	1.660	EC
Pentane	600 ppm	-	1.40%	2.487	IR/CAT
Phosgene	0.02 ppm	0.06 ppm	-	1.390	EC
Phosphine	0.1 ppm	0.2 ppm	1.80%	1.170	EC/CAT
Propane	1000 ppm	-	2.10%	1.522	IR/CAT
Propylene	-	-	2%	1.452	IR/CAT
Sulphur Dioxide	2 ppm	5 ppm	-	2.264	EC
Tetrahydrothiophene	8 Hours	-	%Vol @ 20°C	Gas/Vapour	EC

Environmental Specifications

Operating temperature	-30 °C to 50 °C
Pressure range	80 to 120 kPA
Humidity range	15 to 90 % rh
Weight Stainless steel	
Weight POM	

Electrical Specifications

Supply voltage	24Vdc
Power Consumption	Max 0.5W
Terminations	PCB terminal blocks up to 1.5mm ² cables
Transient protection	TVS
Fuse	50mA PTC short circuit and overload protected

Sensor Specifications

Toxic gas sensor type	Electro-chemical
Response time T90	< 25 seconds
Resolution	< 0.5 ppm
Linearity	< +/- 1%
Zero drift	< 1 ppm/year
Sensitivity drift	< 3% / Year
Operating Life	80% signal after 2 years

Note: Specifications are for standard CO sensor others may vary.

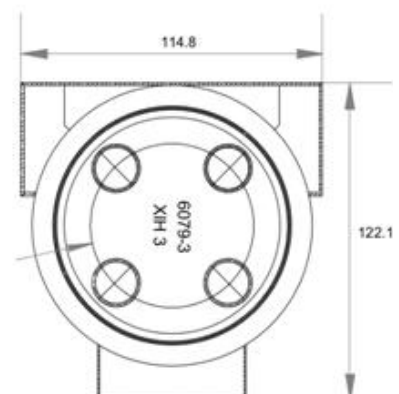
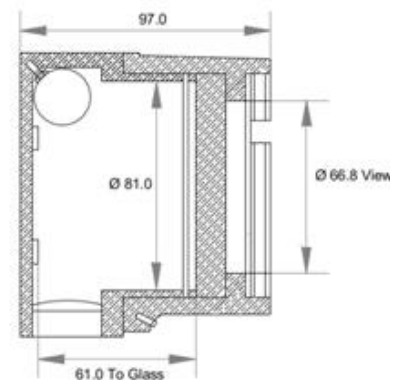
Electromagnetic conformance (EMC) complies with EN50081 and EN50082



Wiring



Dimensions (mm)



Find out more at www.helioGD.com

✉ info@helioGD.com

✉ sales@helioGD.com

00353 (0) 21 242 9448