

Applications include:

Oil and Gas Industries,
Waste Water Treatment,
Pharma & Bio-Pharma,
Manufacturing, Chemical
and Fuel storage facilities



System Features

- EN 60079 II 2 G Ex-d IIC T6
- 3 Channel gas detector.
- Incorporates Infra-red, Electro-chemical, Catalytic and PID sensor technologies.
- Visual indication of gas levels.
- 2.7" OLED display.
- Network up to 200 gas sensors.
- u-Processor based functionality.
- RS 485 Communication.
- 3 x 4-20mA outputs.
- 4 x Volt free contacts.
- Alarm levels freely programmable.
- Internal fault monitoring.
- Stainless steel sensor.

User Friendly

- Non intrusive one person calibration.
- Easy to use Step by step menu.
- Minimal training required.
- Remotely mount sensors.
- Programmable alarm delay.
- Password protected.
- Supplied pre-configured.

Cost Benefits

- Standalone gas detector requiring no control panel.
- RS 485 Network reduce cabling costs.
- Simple installation.
- Plug-in replacement sensors.
- Detector stability allows for increased maintenance intervals.

STEL Short term exposure limit 15minutes. **LTEL** Long term exposure limit 8 hours.
IR - Infra-red, EC - Electrochemical, CAT - Catalytic

Gas	LTEL	STEL	%Vol LEL	Relative Density	Sensor
Air			-	1.000	
Ammonia	25 ppm	35 ppm	15%	0.597	EC
Arsine	-	0.05 ppm	4.50%	2.690	EC
Butane	750 ppm	600 ppm	1.86%	2.006	IR
Carbon Dioxide	5000 ppm	15000ppm	-	1.519	IR
Carbon Monoxide	30 ppm	200 ppm	12%	0.967	EC
Chlorine	-	0.5 ppm	-	2.486	EC
Chlorine Dioxide	0.1 ppm	0.3 ppm	3%	2.300	EC
Ethane	20 ppm	40 ppm	3%	1.038	IR/CAT
Ethanol	1000 ppm	-	3.30%	1.600	IR/CAT
Ethylene	-	-	2.75%	0.968	IR/CAT
Ethylene Oxide	5 ppm	-	3%	1.500	IR/CAT
Fluorine	1 ppm	1 ppm	-	1.310	EC
Hexane	20 ppm	-	1.25%	2.973	IR/CAT
Hydrogen	-	-	4%	0.070	CAT
Hydrogen Chloride	1 ppm	5 ppm	-	1.268	EC
Hydrogen Cyanide	-	10 ppm	5.60%	0.940	EC
Hydrogen Fluoride	1.8 ppm	3 ppm	-	0.700	EC
Hydrogen Sulphide	5 ppm	10 ppm	4%	1.176	EC
LPG	750 ppm	-	2.10%	1.8-2.1	IR/CAT
Methane (natural gas)	-	-	5%	0.5537 (0.6-0.7)	IR/CAT
Nitric Oxide	25 ppm	-	-	1.037	IR/EC
Nitrogen Dioxide	3 ppm	5 ppm	5%	1.590	EC
Oxygen	-	-	-	1.104	EC
Ozone	-	0.2 ppm	-	1.660	EC
Pentane	600 ppm	-	1.40%	2.487	IR/CAT
Phosgene	0.02 ppm	0.06 ppm	-	1.390	EC
Phosphine	0.1 ppm	0.2 ppm	1.80%	1.170	EC/CAT
Propane	1000 ppm	-	2.10%	1.522	IR/CAT
Propylene	-	-	2%	1.452	IR/CAT
Sulphur Dioxide	2 ppm	5 ppm	-	2.264	EC
Tetrahydrothiophene					EC
	8 Hours	15 minutes	%Vol @ 20°C	Gas / Vapour	

Environmental Specifications

Operating temperature	-30 °C to 50 °C
Pressure range	80 to 120 kPa
Humidity range	15 to 90 % rh

Electrical Specifications

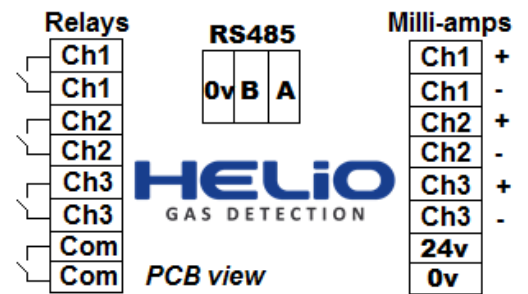
Supply voltage	24Vdc
Power Consumption	Max 2W
Fuse	100mA'T' short circuit and overload protected

Sensor Specifications

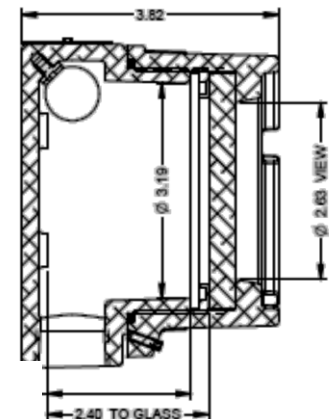
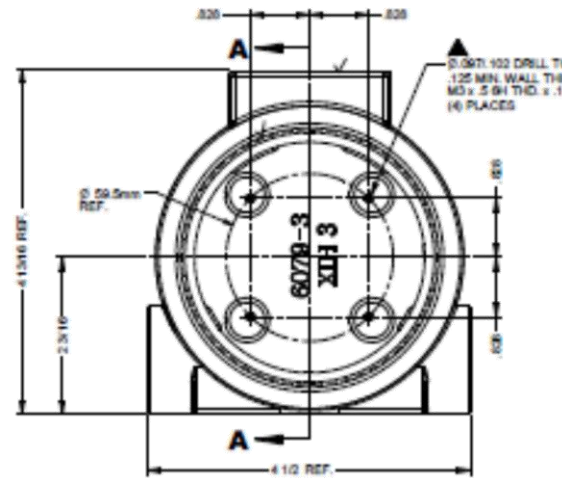
Combustible gas sensor type	NDIR, Thermo-catalytic
Toxic gas sensor type	NDIR, Electro-chemical
Annunciator output	>80dB (A) @ 1m
Transient protection	PCB mounted Metal Oxide Varistor
Terminations	PCB terminal blocks up to 1.5mm ² cables
Alarm inhibit	Password protected alarm inhibit / muting
Alarm setting	Digital setting (fully adjustable between 10% and 90% of full scale)
Alarm types	Energised / de-energised. Enrichment / de-energised
Resolution	1%
Accuracy	5%
Full scale range	Freely programmable
Memory	64KB flash ROM

Electromagnetic Conformance(EMC) Complies with EN50081 and EN50082

Wiring



Dimensions



Find out more at www.helioGD.com

✉ info@helioGD.com

✉ sales@helioGD.com

Tel. 00353 (0) 21 242 9448